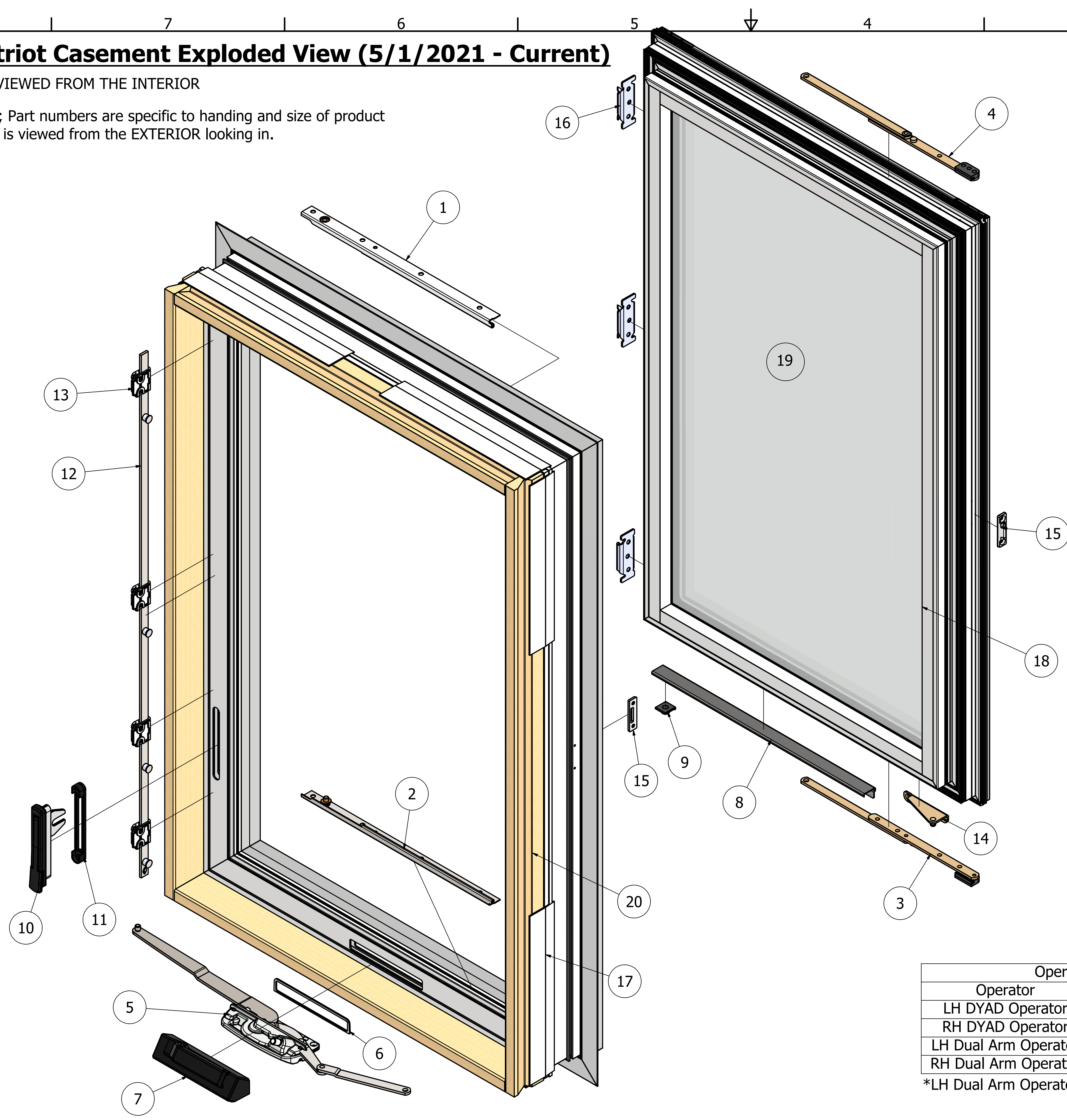


SunClad Patriot Casement Exploded View (5/1/2021 - Current)

FRAME & SASH AS VIEWED FROM THE INTERIOR

**Left Hinge Shown; Part numbers are specific to handing and size of product
When ordering, Unit is viewed from the EXTERIOR looking in.



PARTS LIST	
ITEM	DESCRIPTION
Hardware	
1	Washability-Egress Hinge Track, UL-LR
2	Washability-Egress Hinge Track, LL-UR
3	Washability Hinge Arm, LL-UR
4	Washability Hinge Arm, UL-LR
5	Operator (Reference Operator Chart)
6	Operator Gasket
7	Operator Handle/Cover
8	Operator Track
9	Operator Track Slider
10	Contemporary Lock
11	Lock Backplate
12	Patriot Casement Tie Bar (Reference Tie Bar Chart)
13	Tie Bar Guide
14	Stud Bracket (LH Stud Bracket Shown ; Left Hinge Unit)
15	Snubber
16	Keeper
Vinyl Parts	
17	Jamb Extension Coupler
18	Glazing Bead
19	SunClad Patriot Casement Sash
Wood Parts	
20	Jamb Extension (4 9/16" Option Shown)

Tie Bars		
Unit Height	Tie Bar Length	# of Lock Points
15.47" - 19.46"	10.9"	1
19.47" - 23.46"	14.9"	2
23.47" - 27.46"	18.9"	2
27.47" - 31.46"	22.9"	2
31.47" - 35.46"	26.9"	2
35.47" - 39.46"	30.9"	3
39.47" - 43.46"	34.9"	3
43.47" - 47.46"	38.9"	3
47.47" - 51.46"	42.9"	3
51.47" - 55.46"	46.9"	3
55.47" - 59.46"	50.9"	3
59.47" - 63.46"	54.9"	4
63.47" - 67.46"	58.9"	4
67.47" - 71.46"	62.9"	4
71.47" - 75.46"	66.9"	4
75.47" - 79.46"	70.9"	4
79.47" - 83.46"	74.9"	4

Operators	
Operator	Unit Width
LH DYAD Operator	23.99" & below
RH DYAD Operator	23.99" & below
LH Dual Arm Operator	24" & above
RH Dual Arm Operator	24" & above

*LH Dual Arm Operator Shown

DRAWN Nelson Dant	6/7/2022	TITLE
CHECKED		SunClad Patriot Casement Exploded View
QA		SIZE D
MFG		DWG NO
APPROVED		REV
	SCALE 1/2.65	SHEET 1 OF 1