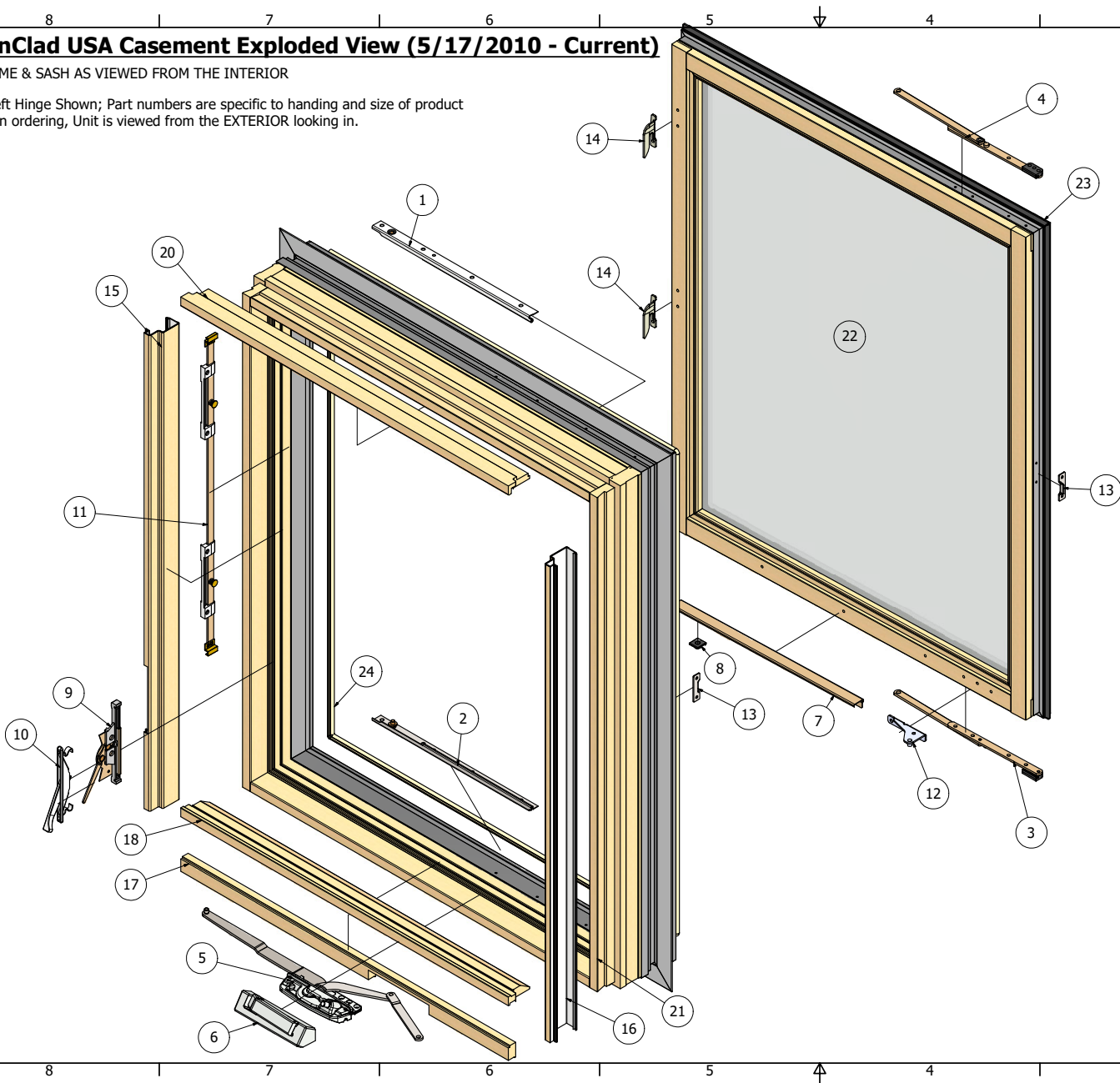


# SunClad USA Casement Exploded View (5/17/2010 - Current)

FRAME & SASH AS VIEWED FROM THE INTERIOR

\*\*Left Hinge Shown; Part numbers are specific to handing and size of product  
When ordering, Unit is viewed from the EXTERIOR looking in.



PARTS LIST	
ITEM	DESCRIPTION
Hardware	
1	Washability-Egress Hinge Track, UL-LR
2	Washability-Egress Hinge Track, LL-UR
3	Washability Hinge Arm, LL-UR
4	Washability Hinge Arm, UL-LR
5	Operator (Reference Operator Chart)
6	Operator Handle/Cover
7	Operator Track
8	Operator Track Slider
9	Lock/Drive Assembly
10	Lock Handle/Escutcheon
11	Casement Tie Bar (Reference Tie Bar Chart)
12	Stud Bracket (LH Stud Bracket Shown ; Left Hinge Unit)
13	Snubber
14	Flanged Keeper (RH Flanged Keeper Shown ; Left Hinge Unit)
Wood Parts	
15	SunClad USA Casement Vertical Frame Molding Lock Side (Mikron)
16	SunClad USA Casement Vertical Frame Molding Hinge Side (Mikron)
17	SunClad USA Casement Frame Sill Base Molding Wood (Left Hinge Shown)
18	SunClad USA Casement Frame Sill Molding Wood
20	SunClad USA Casement Frame Head Molding Wood
21	SunClad USA Casement Frame Surround Molding
22	SunClad USA Casement Sash
Weatherstrip	
23	SunClad USA Casement Sash Weatherstrip
24	SunClad USA Casement Frame Weatherstrip

Operators	
Operator	Unit Width
LH DYAD Operator	23.99" & below
RH DYAD Operator	23.99" & below
LH Dual Arm Operator	24" & above
RH Dual Arm Operator	24" & above

\*LH Dual Arm Operator Shown

Tie Bars		
Unit Height	Tie Bar Length	# of Lock Points
24" - 35.99"	9.82"	1
36" - 43.99"	22.52"	2
44" - 55.99"	30.52"	2
56" - 63.99"	42.52"	3
64" - 71.99"	49.52"	3
72"-84"	58.52"	3

DRAWN Nelson Dant	2/15/2022	TITLE	
CHECKED		SunClad USA Casement Exploded View	
QA		SIZE	D
MFG		DWG NO	SunClad USA Casement
APPROVED		SCALE	1/31
		REV	
		SHEET	1 OF 1