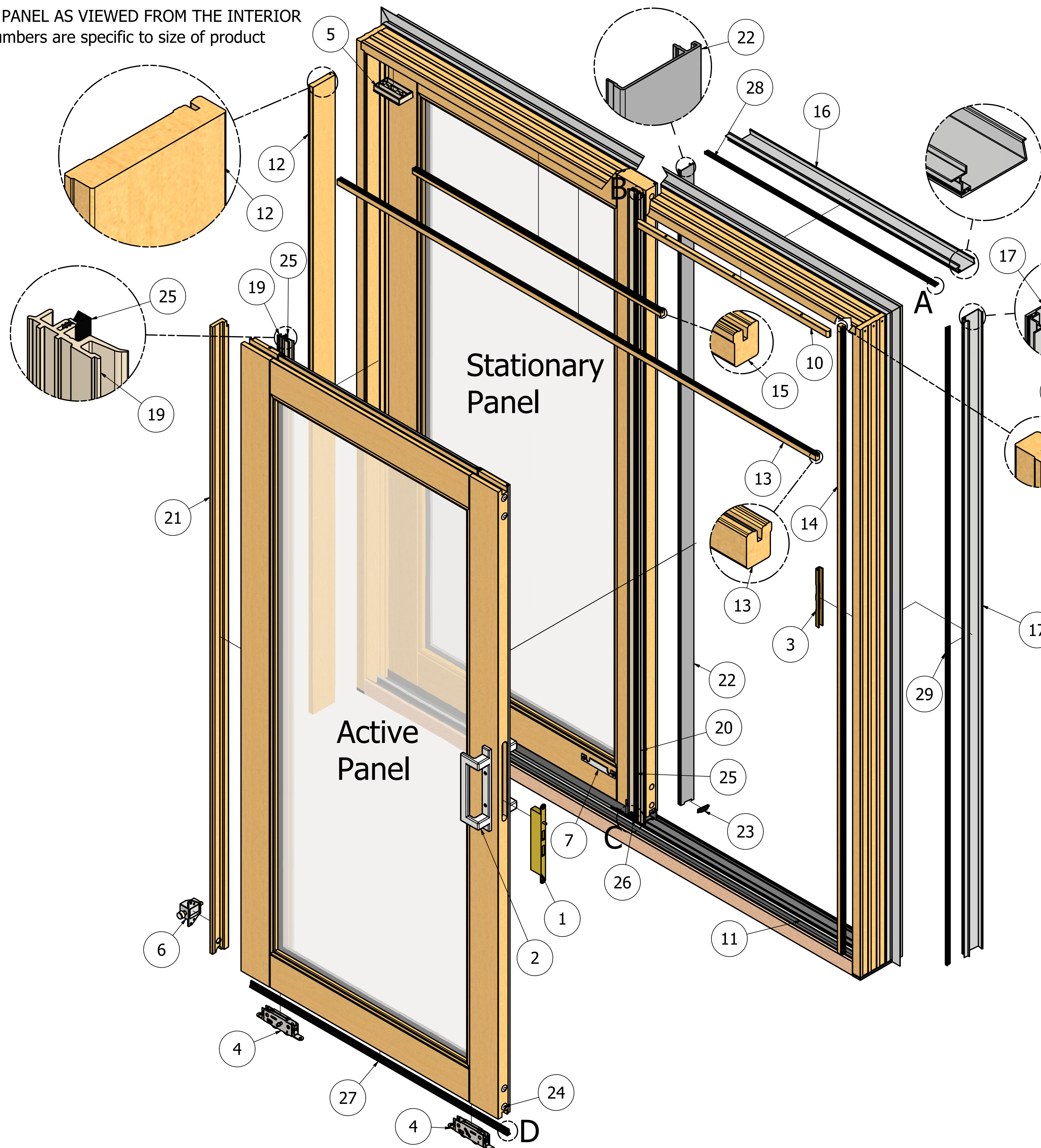
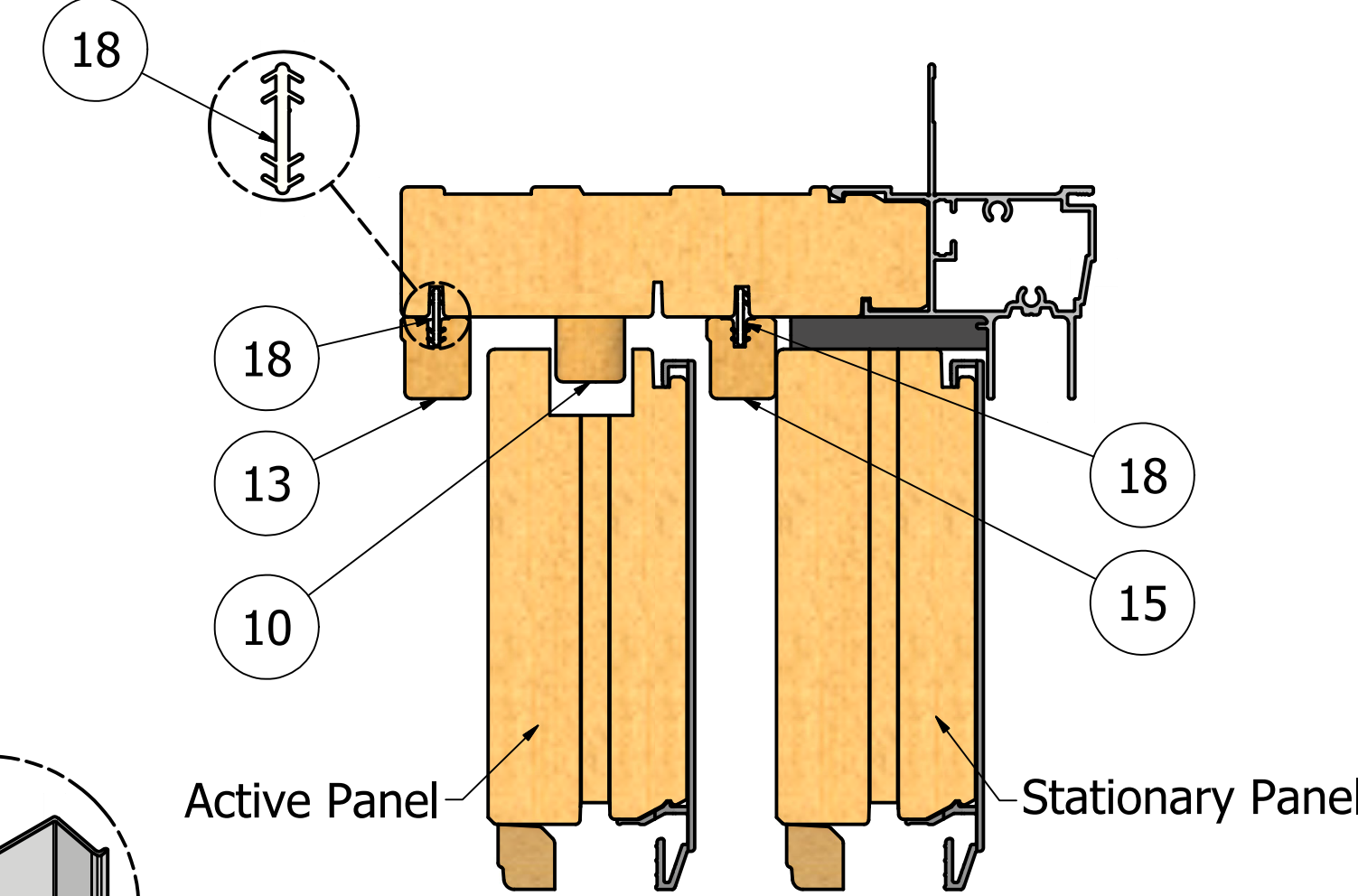


SunClad USA Two Panel Sliding Door Exploded View (3/1/2015 - Current)

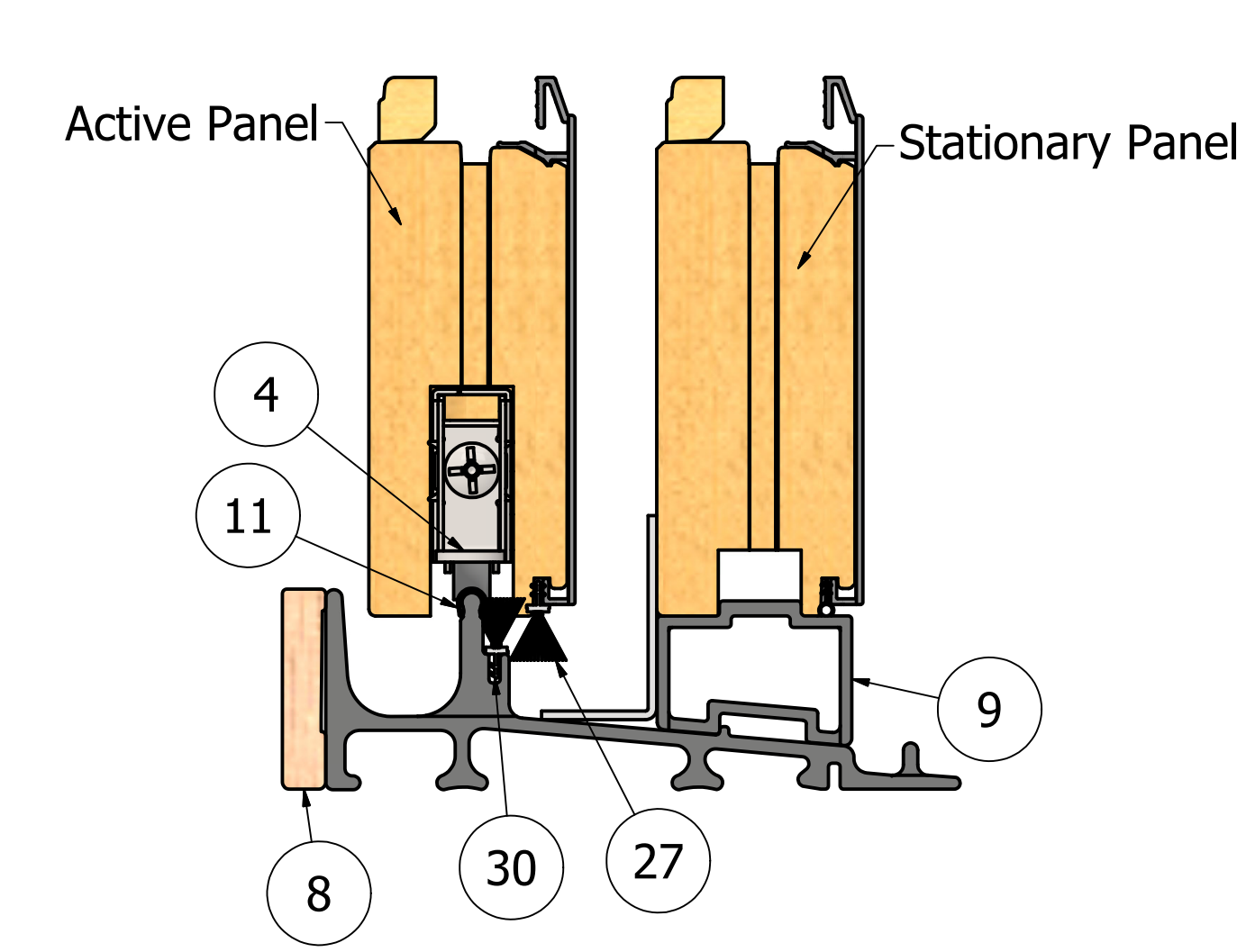
FRAME & PANEL AS VIEWED FROM THE INTERIOR
 **Part Numbers are specific to size of product



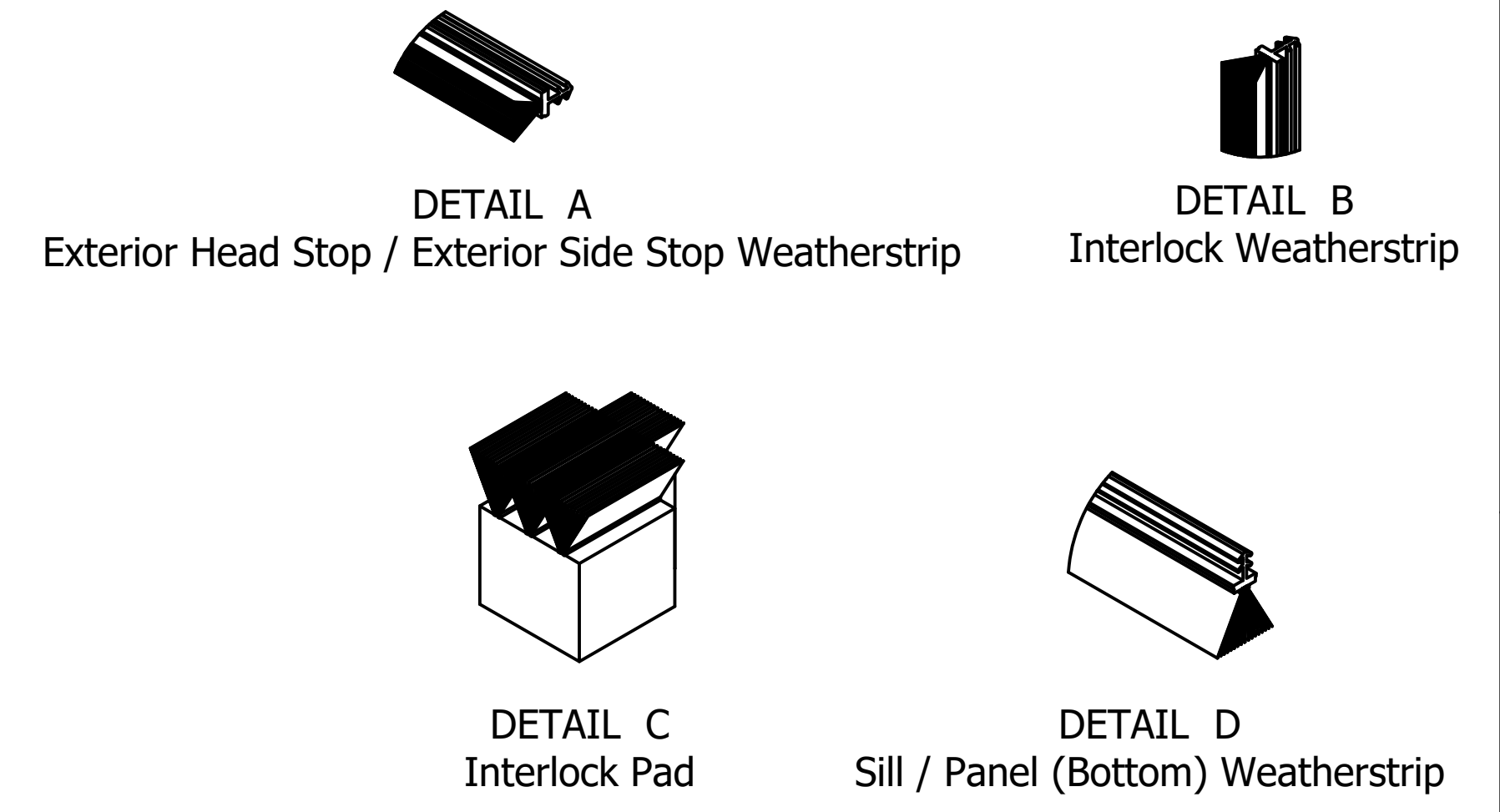
Head Cross Section



Sill Cross Section



PARTS LIST	
ITEM	DESCRIPTION
Hardware	
1	Lock
2	Trim Kit
3	Keeper
4	Roller Assembly
5	Head Bumper
6	Footbolt (Optional)
7	Footbolt Plate (Optional)
Frame Components	
8	Sill Wood (Oak)
9	Stationary Panel Support
10	Structural Load Bar
11	Stainless Steel Sill Track Cap
12	Stationary Side Stop
13	Horizontal Interior Stop
14	Vertical Interior Stop
15	Intermediate Stop
16	Exterior Head Stop
17	Exterior Side Stop
18	Connecting Barb
Panel Components	
19	Active Panel Interlock
20	Stationary Panel Interlock
21	Active Panel End Cap (Wood)
22	Stationary Panel End Cap (Metal)
23	Weep Hole Cover
24	5/8" White Hole Plug
Weatherstrip	
25	Interlock Weatherstrip
26	Interlock Pad
27	Panel Weatherstrip (Bottom)
28	Exterior Head Stop Weatherstrip
29	Exterior Side Stop Weatherstrip
30	Sill Weatherstrip



DRAWN Nelson Dant	2/20/2024		Sun Windows	
CHECKED			TITLE	
QA		SunClad USA Two Panel Sliding Door Exploded View		
MFG		SIZE D	DWG NO SunClad USA Two Panel Sliding Door	REV
APPROVED		SCALE 1/6"	SHEET 1 OF 1	