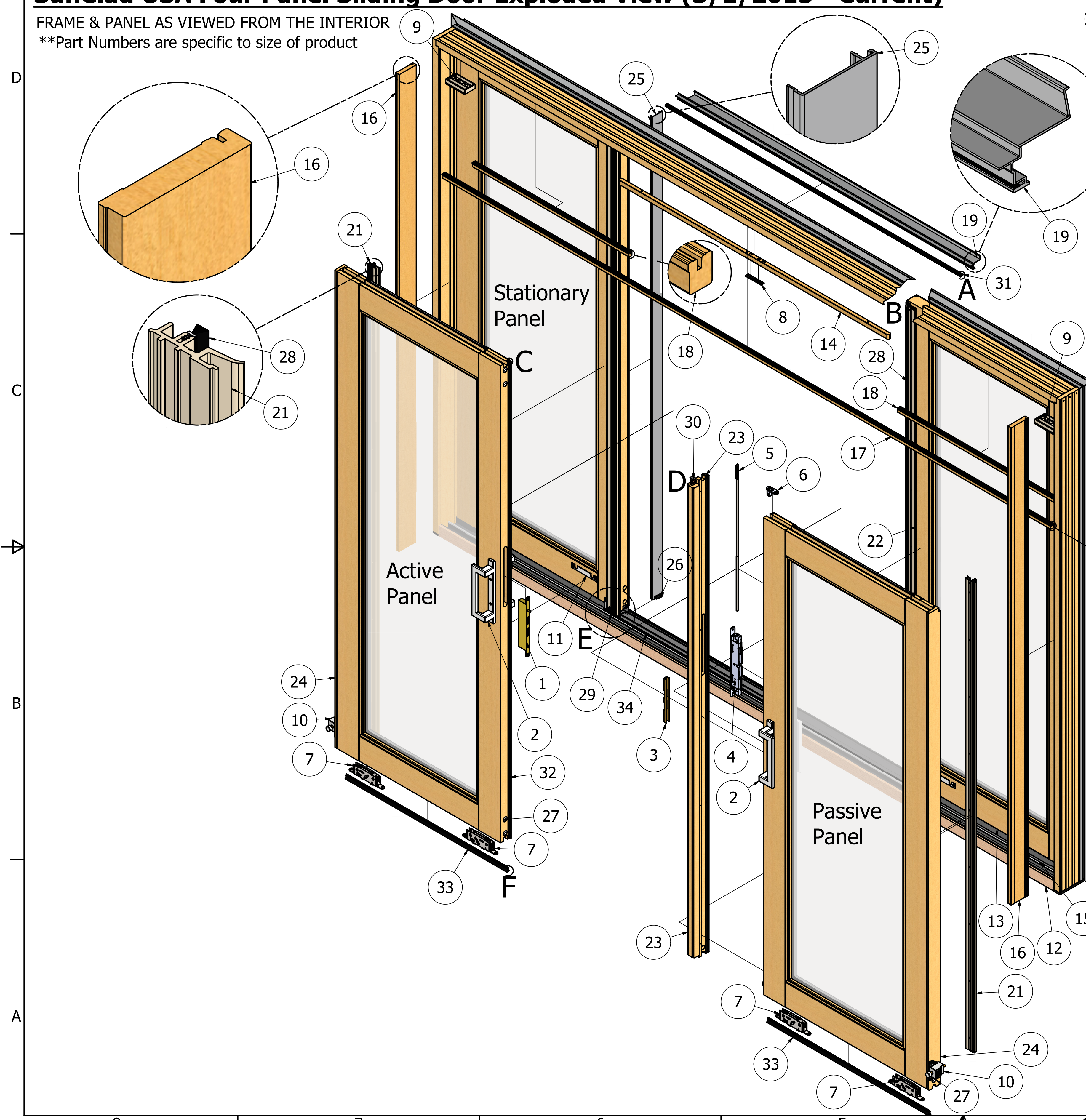
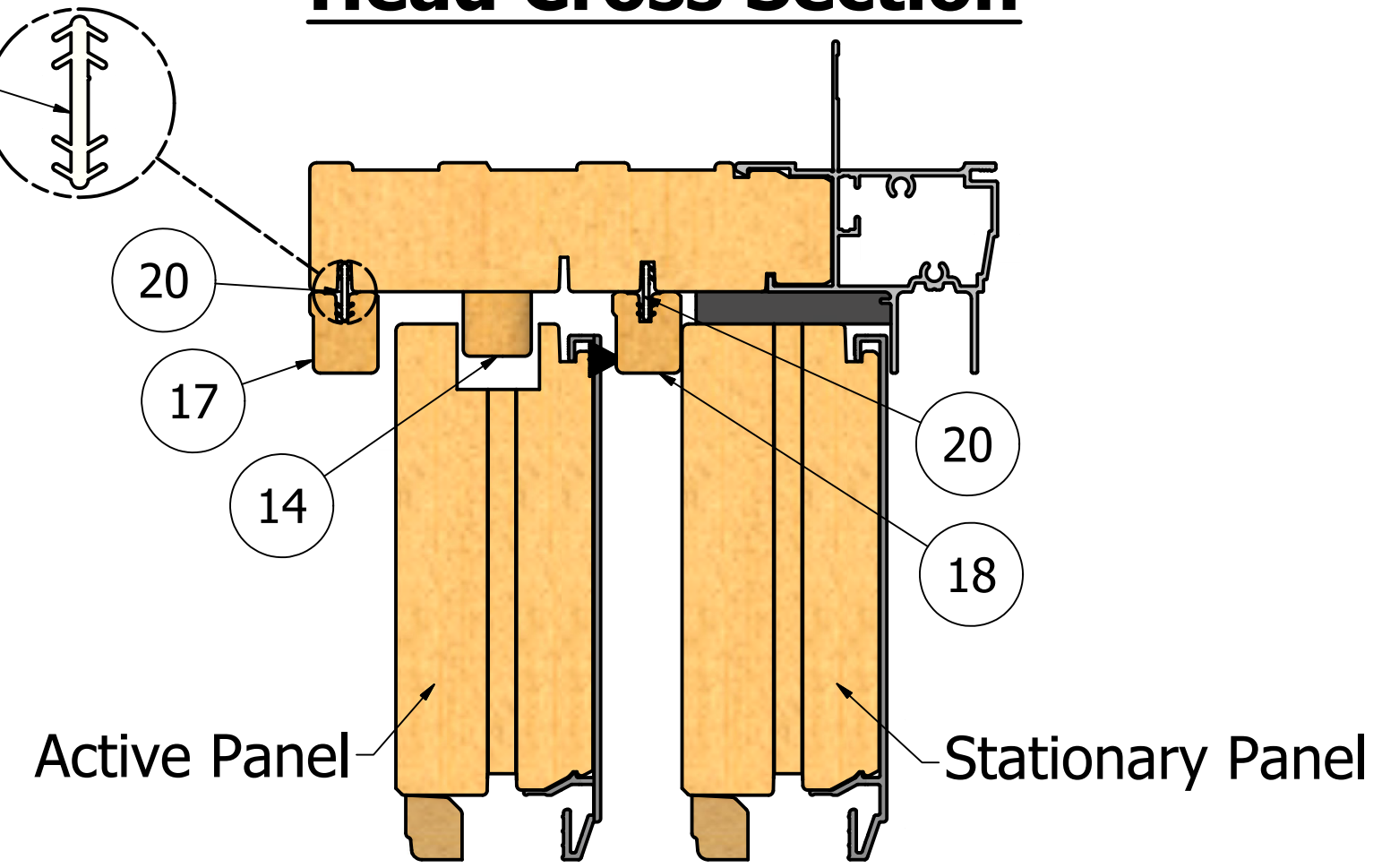


SunClad USA Four Panel Sliding Door Exploded View (3/1/2015 - Current)

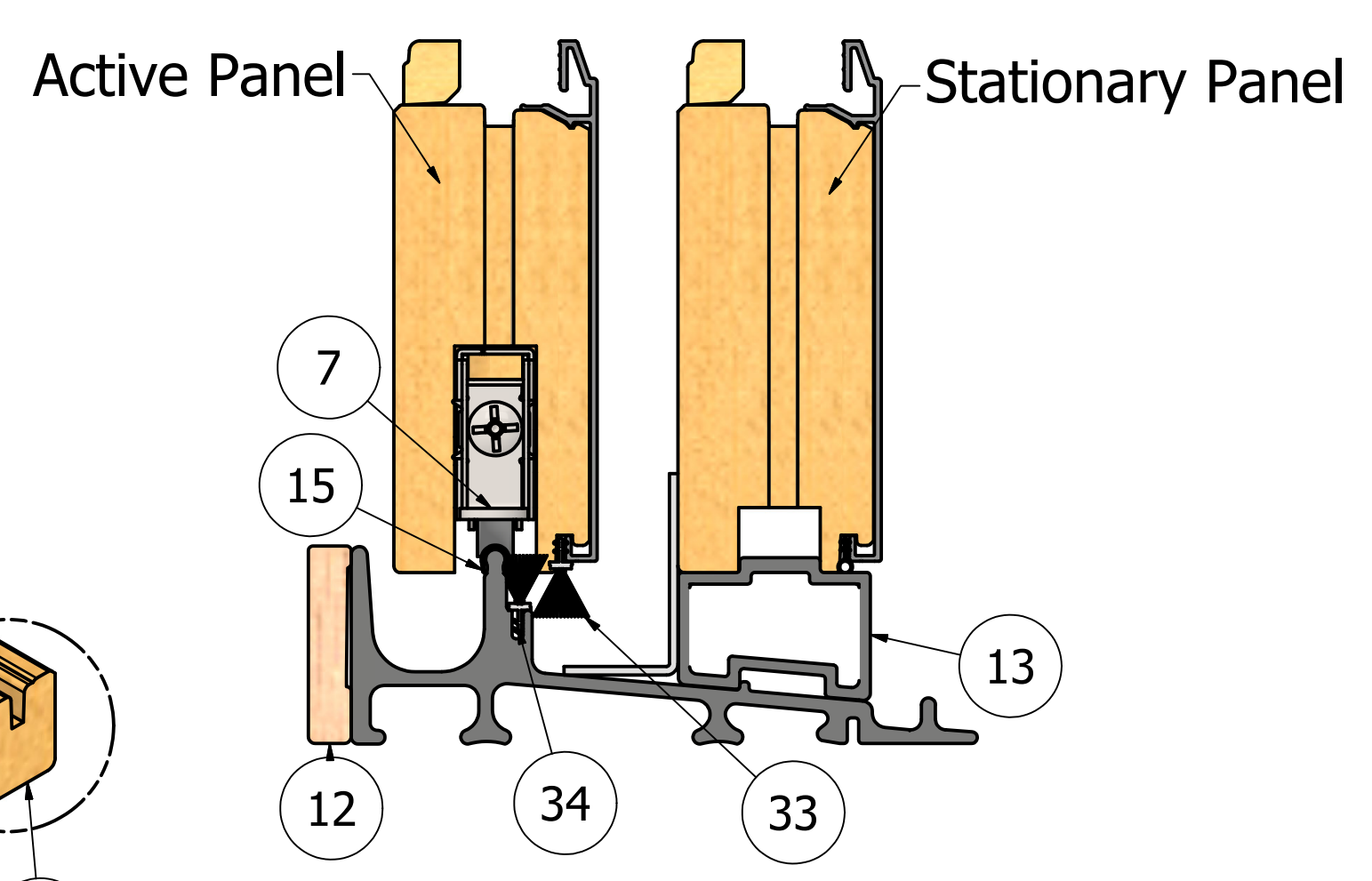
FRAME & PANEL AS VIEWED FROM THE INTERIOR
 **Part Numbers are specific to size of product



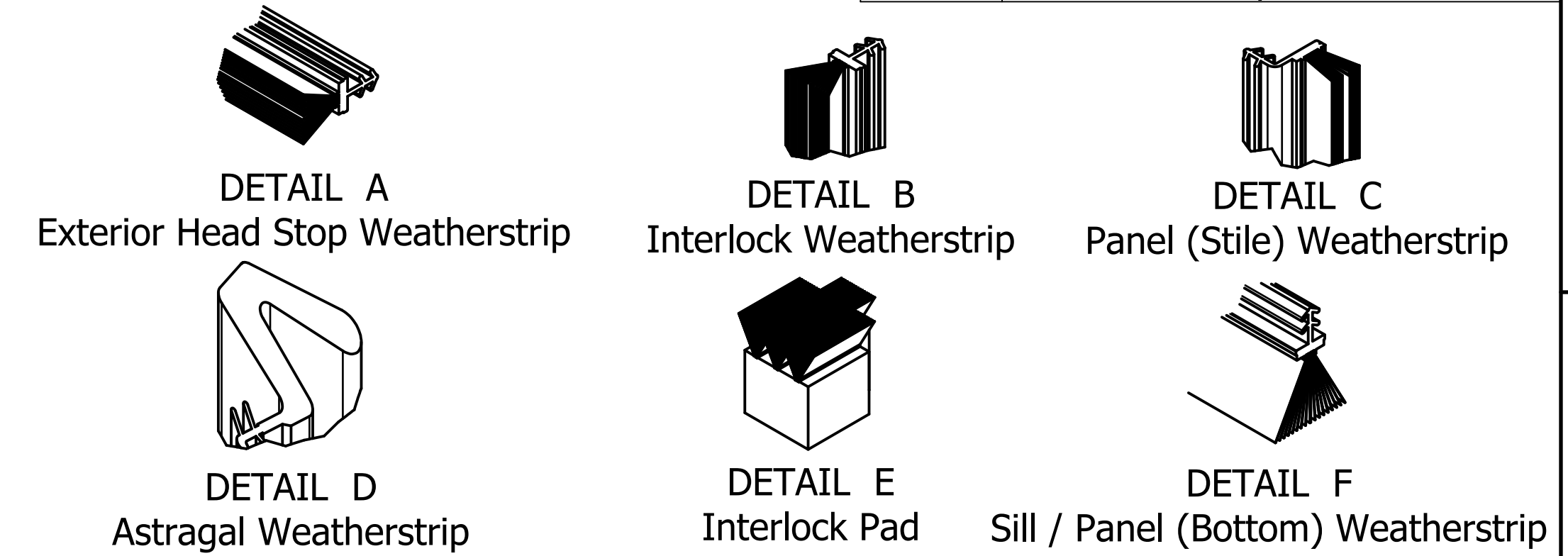
Head Cross Section



Sill Cross Section



PARTS LIST	
ITEM	DESCRIPTION
Hardware	
1	Lock
2	Trim Kit
3	Keeper
4	Flushbolt
5	Flushbolt Rod
6	Flushbolt Rod Guide
7	Roller Assembly
8	Load Bar Plate
9	Head Bumper
10	Footbolt (Optional)
11	Footbolt Keeper (Optional)
Frame Components	
12	Sill Wood (Oak)
13	Stationary Panel Support
14	Structural Load Bar
15	Stainless Steel Sill Track Cap
16	Stationary Side Stop
17	Horizontal Interior Stop
18	Intermediate Stop
19	Exterior Head Stop
20	Connecting Barb
Panel Components	
21	Active Panel Interlock
22	Stationary Panel Interlock
23	Astragal
24	Active Panel End Cap (Wood)
25	Stationary Panel End Cap (Metal)
26	Weep Hole Cover
27	5/8" White Hole Plug
Weatherstrip	
28	Interlock Weatherstrip
29	Interlock Pad
30	Astragal Weatherstrip
31	Exterior Head Stop Weatherstrip
32	Panel Weatherstrip (Stile)
33	Panel Weatherstrip (Bottom)
34	Sill Weatherstrip



DRAWN Nelson Dant	1/23/2024		Sun Windows
CHECKED		TITLE	SunClad USA Four Panel Sliding Door Exploded View
QA		SIZE	D
MFG		DWG NO	SunClad USA Four Panel Sliding Door
APPROVED		SCALE	1/7.5
		REV	
		SHEET 1 OF 1	